

Cantilever arm FCA

FUS profiles with welded base plate for direct mounting on the base material

2c



Refrigerant pipe clamp on sliding element



Heavy pipe on cantilever

Applications

- Quick and easy installation of pipelines (e.g. along the wall)

Certificates



Fire resistance classification
R120



MLAR R30

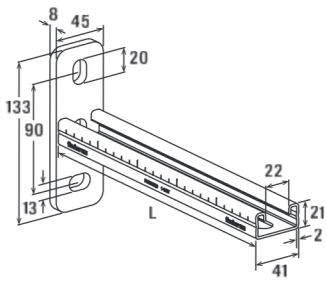
Advantages/benefits

- The fire inspection report in line with MLAR/EN13501 guarantees independently tested functional safety.
- The graduated range of lengths allows for an ideal adaptation to the application.
- The arm's solid base plate offers a secure hold for load-bearing construction.
- The base plate's long slots, which are at 90° to one another, allow the arm to be easily aligned.
- The stamped teeth in the channel gives the sliding nuts a secure hold for high shear loads, e.g. for vertical installation.

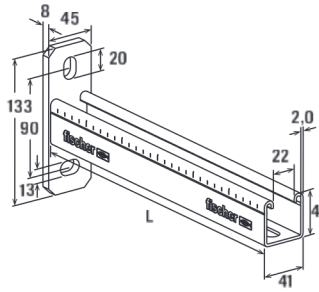
Properties

- Material: steel S235 JR (material no.: 1.0037) acc. to DIN EN 10025
- Zinc plating: electro zinc-plated, min. 8 µm

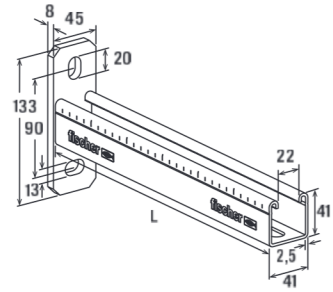
Technical data



FCA 21

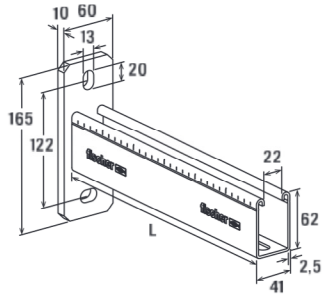


FCA 41/2,0



FCA 41

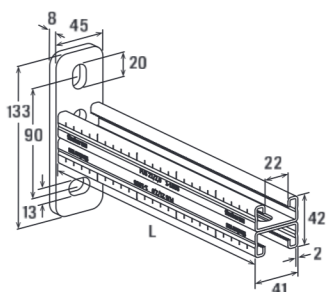
2c



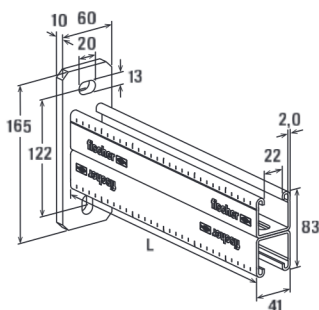
FCA 62

Item	Item No.	Fire test report	Profile	Length L [mm]	Sales unit [pcs]
FCA 21 - 200	537207	—	21/2,0	200	1
FCA 21 - 300	537208	—	21/2,0	300	1
FCA 21 - 450	537209	—	21/2,0	450	1
FCA 41/2,0 - 300	559915	—	41/2,0	300	1
FCA 41/2,0 - 450	559916	—	41/2,0	450	1
FCA 41/2,0 - 600	559917	—	41/2,0	600	1
FCA 41/2,0 - 750	559918	—	41/2,0	750	1
FCA 41/2,0 - 1000	559919	—	41/2,0	1000	1
FCA 41 - 300	077359	X	41/2,5	300	1
FCA 41 - 450	077361	X	41/2,5	450	1
FCA 41 - 600	077363	X	41/2,5	600	1
FCA 41 - 750	077365	X	41/2,5	750	1
FCA 62 - 1000	504315	X	62/2,5	1000	1

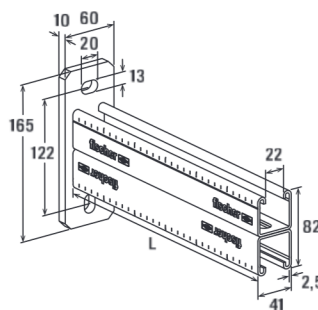
Technical data



FCA 21D



FCA 41D/2,0



FCA 41D

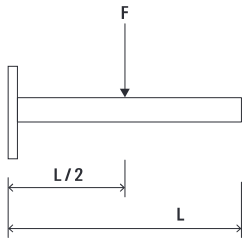
2c

Item	Item No.	Fire test report	Profile	Length L [mm]	Sales unit [pcs]
FCA 21D - 300	536978	—	21D/2,0	300	1
FCA 21D - 450	536979	—	21D/2,0	450	1
FCA 21D - 600	536980	—	21D/2,0	600	1
FCA 41D/2,0 - 750	559920	—	41D/2,0	750	1
FCA 41D/2,0 - 1000	559921	—	41D/2,0	1000	1
FCA 41D - 750	504317	—	41D/2,5	750	1
FCA 41D - 1000	504319	—	41D/2,5	1000	1

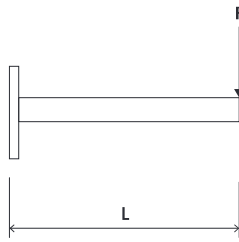
Loads

Item	Item No.	Max. recommended static load load case 1 F_{rec} [kN]	Max. recommended static load load case 2 F_{rec} [kN]	Max. recommended static load load case 3 F_{rec} [kN]
FCA 21 - 200	537207	1.43	0.72	1.43
FCA 21 - 300	537208	0.95	0.45	0.95
FCA 21 - 450	537209	0.65	0.21	0.65
FCA 41/2,0 - 300	559915	1.8	0.9	1.8
FCA 41/2,0 - 450	559916	1.2	0.6	1.2
FCA 41/2,0 - 600	559917	0.9	0.45	0.9
FCA 41/2,0 - 750	559918	0.72	0.36	0.72
FCA 41/2,0 - 1000	559919	0.54	0.23	0.54
FCA 41 - 300	077359	1.8	0.9	1.8
FCA 41 - 450	077361	1.2	0.6	1.2
FCA 41 - 600	077363	0.9	0.45	0.9
FCA 41 - 750	077365	0.72	0.36	0.72
FCA 62 - 1000	504315	1.25	0.62	1.25
FCA 21D - 300	536978	1.83	0.92	1.83
FCA 21D - 450	536979	1.24	0.62	1.24
FCA 21D - 600	536980	0.92	0.46	0.92
FCA 41D/2,0 - 750	559920	2.5	1.25	2.5
FCA 41D/2,0 - 1000	559921	1.9	0.93	1.9
FCA 41D - 750	504317	2.5	1.25	2.5
FCA 41D - 1000	504319	1.9	0.93	1.9

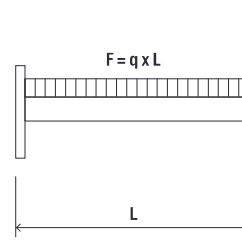
Load case 1



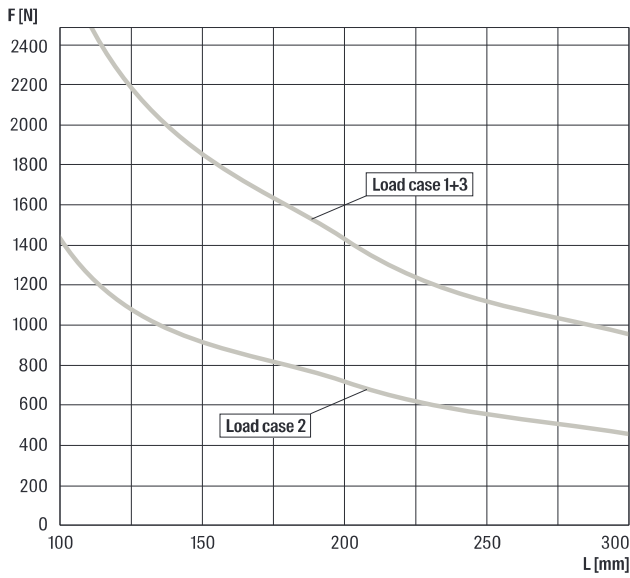
Load case 2



Load case 3

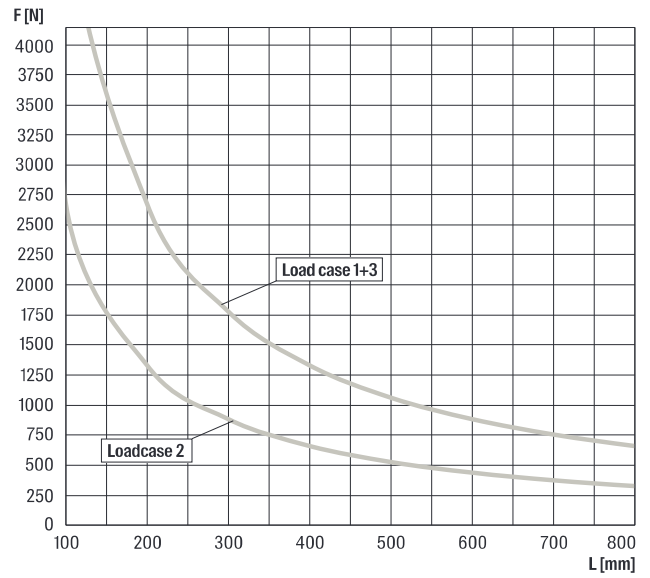


FCA 21



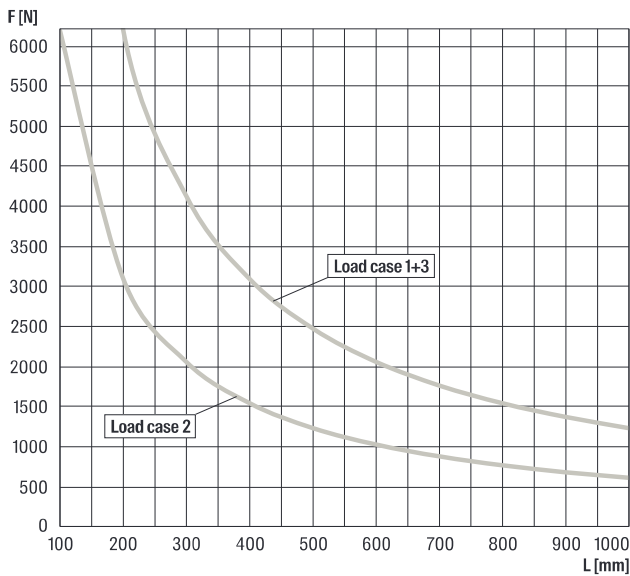
FCA 41

2c



For the load curves, the permissible steel strain $\delta_{adm} = 160$ N/mm and the maximum deflection under load $L/150$ are not exceeded. Load values of the cantilever arms under consideration of the load capacity of the base plate. Fixings and screw fastenings must be calculated accordingly.

FCA 62



For the load curves, the permissible steel strain $\delta_{adm} = 160$ N/mm and the maximum deflection under load $L/150$ are not exceeded. Load values of the cantilever arms under consideration of the load capacity of the base plate. Fixings and screw fastenings must be calculated accordingly.